

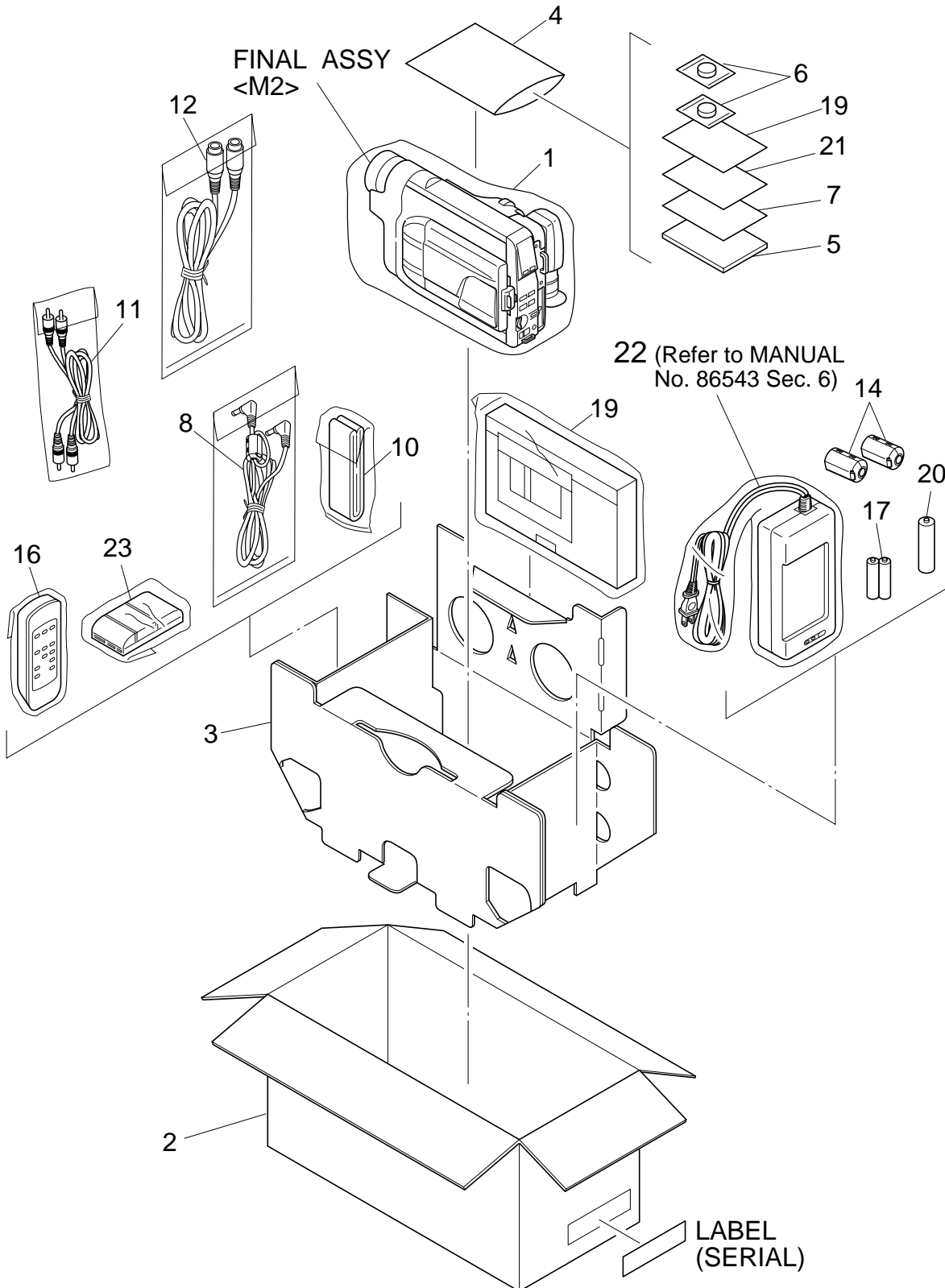
SECTION 5 PARTS LIST

SAFETY PRECAUTION

Parts identified by the \triangle symbol are critical for safety. Replace only with specified part numbers.

5.1 PACKING AND ACCESSORY ASSEMBLY <M1>

The instruction manual to be provided with this product will differ according to the destination.



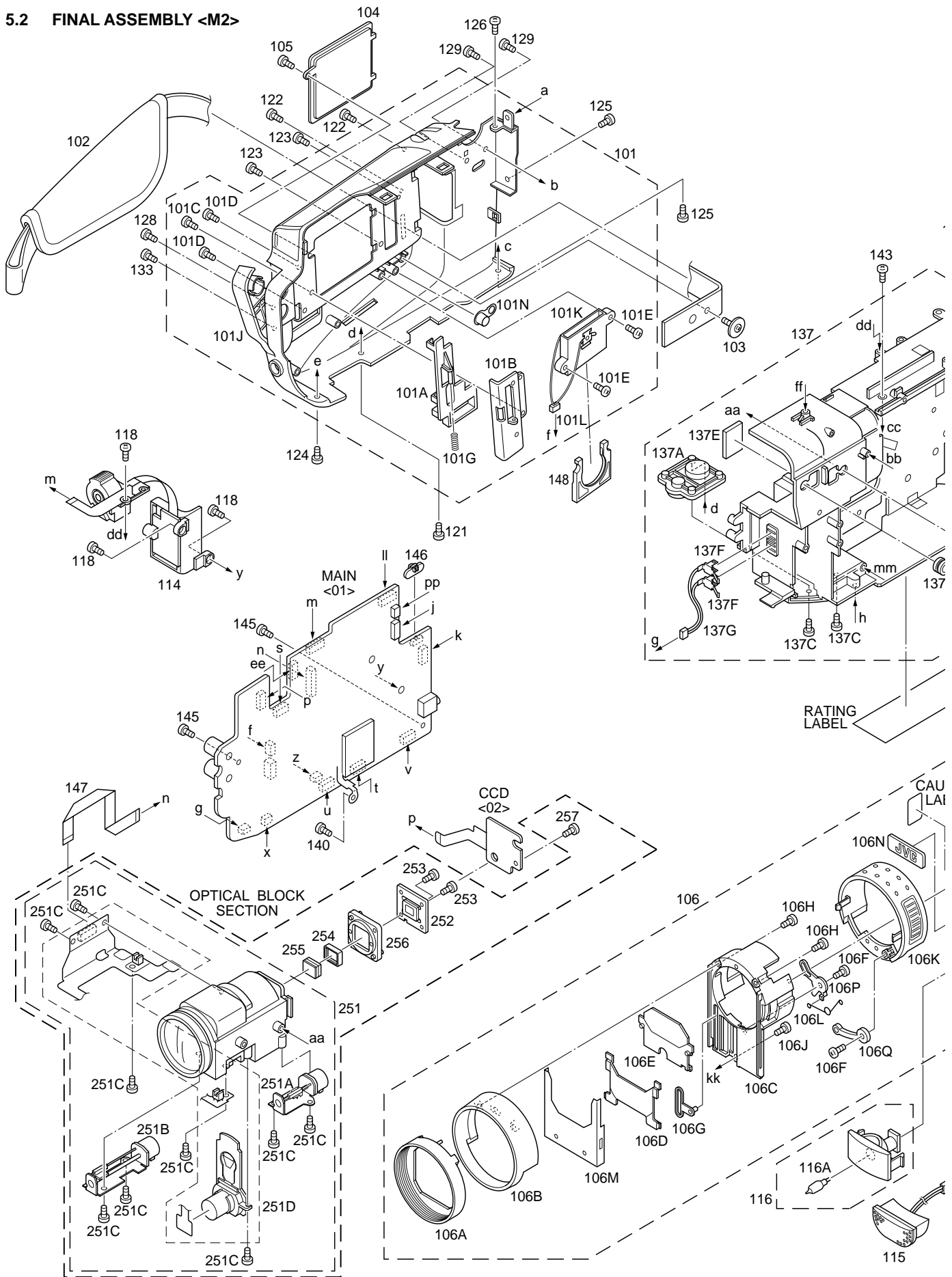
△ REF No. PART No. PART NAME, DESCRIPTION

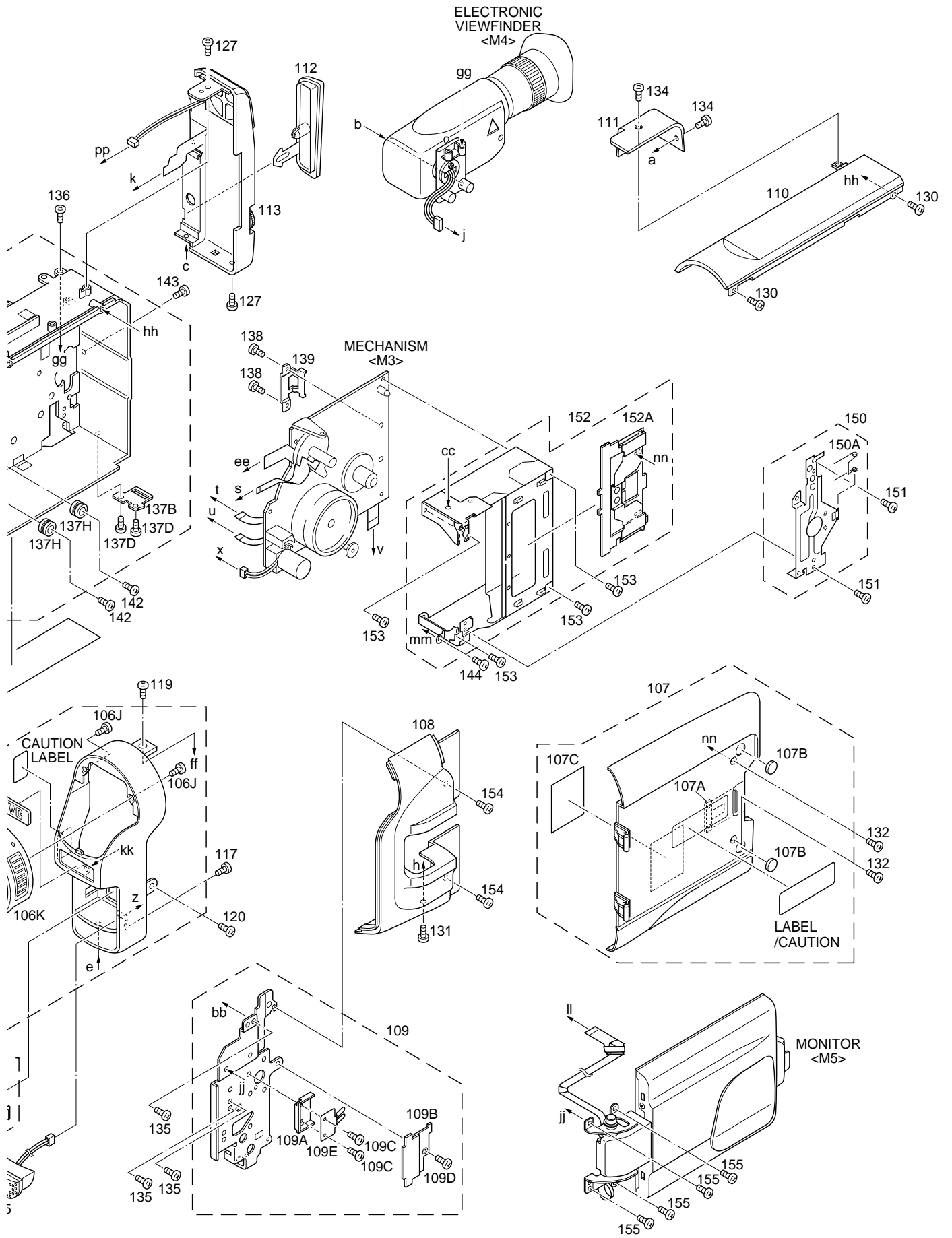
PACKING AND ACCESSORY ASSEMBLY <M1>

1	LY30023-002A	POLY BAG
2	LY31561-064A	PACKING CASE
3	LY31563-001A	CUSHION
4	QPA02003506	POLY BAG
△ 5	LYT0569-001A	IB(EN)
△	LYT0569-002A	IB(CH)
△ 6	PECA0903	LI BATTERY,X2
7	BT-59007-2	WARRANTY CARD
8	QAM0170-001	DC CORD
10	LY20186-001A	SHOULDER STRAP
11	PEAC0362-150	CABLE ASSY(AUDIO/VIDEO)
12	QAM0004-003	S CABLE,S-VIDEO CABLE
14	QQR0491-002	CORE FILTER,X2
16	YQ20932A	REMOTE CONTROLLER,RM-V705U
17	-	BATTERY,RCU,R03(AAA)X2,C
19	LYT0569-004A	SHEET(ATT.)
21	BT-59012-1	GUARANTY CARD
△ 22	LY20538-009B	AC POWER ADAPTER CHARGER,AA-V16ED
△ 23	YQ10629E	BATTERY PACK,BN-V11U
24	-	BATTERY,CASS.ADAPTER,R6(AA)
25	YQ31963B-3	CASS.ADAPTER ASSY

- INSTRUCTIONS
- EN ENGLISH
- CH CHINESE

5.2 FINAL ASSEMBLY <M2>



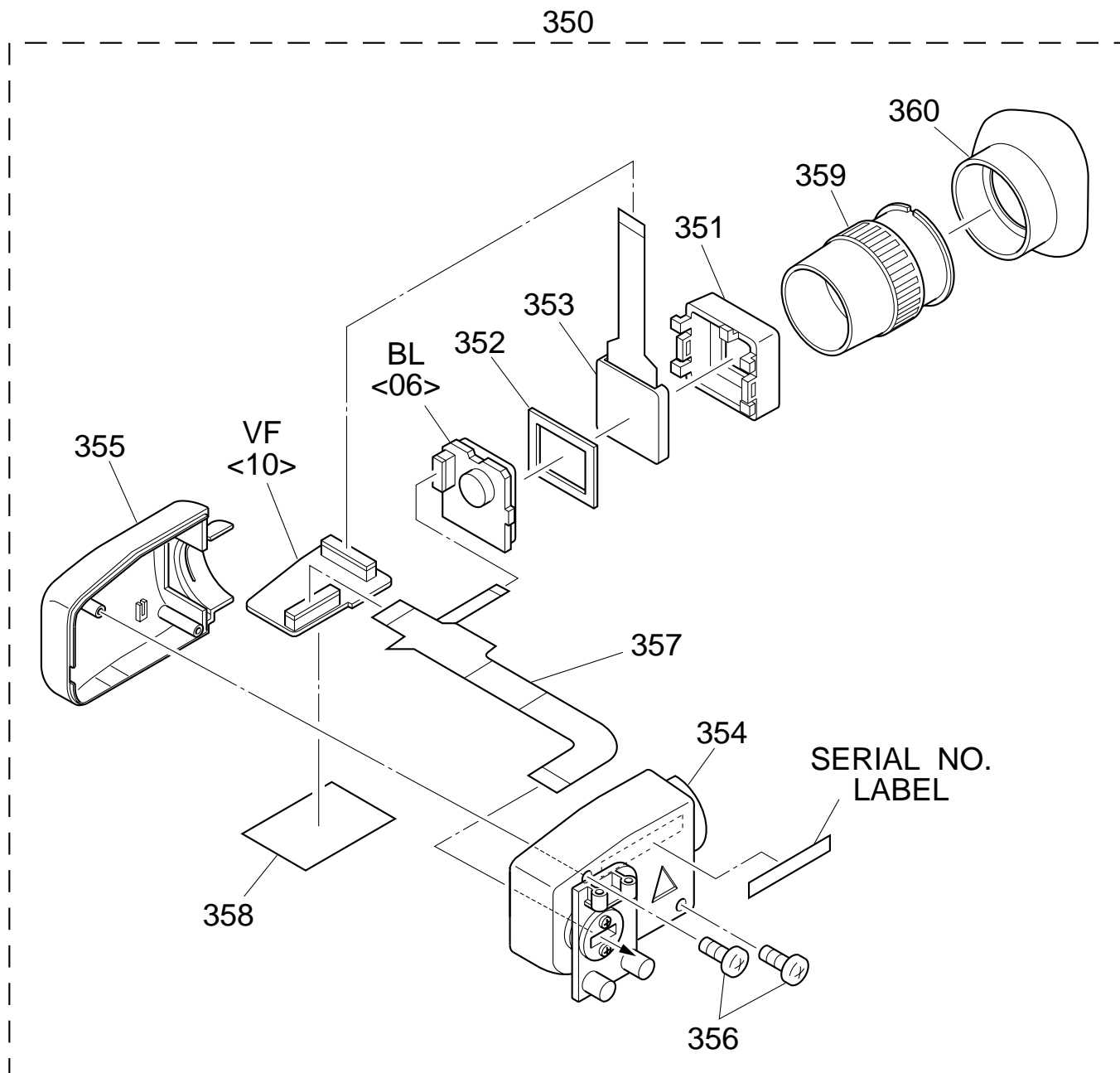


#	△ REF No.	PART No.	PART NAME, DESCRIPTION

FINAL ASSEMBLY <M2>			
△	101	LY10122-036B	LOWER CASE ASSY
	101A	LY30885-001C	KNOB(B.RELEASE)
	101B	LY30886-001B	BKT(B.RELEASE)
	101C	QYSLSP2030D	SCREW
	101D	QYSLSP2050D	SCREW,X2
	101E	QYSLSF2055D	SPECIAL SCREW,X2
	101G	LY30002-026A	COMPRES.SPRING
	101J	LY30891-001B	CAP(RCA JACK)
	101K	LY30888-001B	HOLDER(LITHIUM)
	101L	WJM0119-001A	E-SI C WIRE C-F
	101N	LY40081-001A	CAP
	102	LY20014-001A	GRIP BELT
	103	LY30018-003A	SPECIAL SCREW
△	104	LY30887-001B	CAP(JIG)
	105	QYSLSP2030D	SCREW
△	106	LY10124-062A	FRONT COVER ASSY
	106A	LY30893-001C	HOOD
	106B	LY31556-001A	COVER(HOOD)
	106C	LY20349-001C	GUIDE(SHUTTER)
	106D	LY30895-001B	SHUTTER(1)
	106E	LY30896-001A	SHUTTER(2)
	106F	YQ43762	SPECIAL SCREW,X2
	106G	LY41075-001A	SLIDER(SHUTTER)ASSY
	106H	QYSLSF2050Z	SCREW,X2
	106J	QYSLSF2060Z	SCREW,X3
	106K	LY20348-001A	DIAL(SHUTTER)
	106L	LY41081-001D	TORSION SPRING
	106M	LY41128-001B	HOLD(SHUTTER)
	106N	LY41381-001A	MARK
	106P	LY41077-001A	LEVER(1)
	106Q	LY41078-001A	LEVER(2)
	107	LY10131-030B	CASS.COVER(M)ASSY
	107A	LY30907-001A	BUTTON(PUSH)
	107B	LY40076-002A	SPACER,X2
	107C	LY40559-001A	SHIELD SHEET
	108	LY10133-006B	UPPER CASE(M)
	109	LY30908-001D	BKT(UPPER)ASSY
	109A	LY30909-001A	BKT(STOPPER)
	109B	LY30910-001C	COVER(STOPPER)
	109C	QYSLSP2030D	SCREW,X2
	109D	QYSLSP2025D	SCREW
	109E	LY41384-001A	EARTH PLATE(B)
	110	LY10129-0C2A	TOP COVER
	111	LY20328-001E	COVER(VF)
	112	LY30892-001B	CAP(REAR JACK)
	113	LY10120-057A	OPERATION UNIT
	114	LY10121-001D	ZOOM UNIT
	115	LY30861-010A	MICROPHONE
	116	LY30860-001B	DC LIGHT ASSY
	116A	YQ44266	LAMP
	117	QYSLSF2055D	SPECIAL SCREW
	118	QYSLSF2055D	SPECIAL SCREW,X3
	119	YQ43762-5	SPECIAL SCREW
	120	QYSLSF2055D	SPECIAL SCREW
	121	QYSLSF2055D	SPECIAL SCREW
	122	QYSLSF2055D	SPECIAL SCREW,X2
	123	QYSLSF2055D	SPECIAL SCREW,X2
	124	QYSLSF2090D	SCREW

#	△ REF No.	PART No.	PART NAME, DESCRIPTION
		125	QYSLSF2055D SPECIAL SCREW,X2
		126	QYSLSF2055D SPECIAL SCREW
		127	QYSLSF2055D SPECIAL SCREW,X2
		128	QYSLSF2090D SCREW
		129	QYSLSF2055D SPECIAL SCREW,X2
		130	QYSLSF2055D SPECIAL SCREW,X2
		131	QYSLSF2055D SPECIAL SCREW
		132	QYSLSP2030D SCREW,X2
		133	QYSLSF2090D SCREW
		134	QYSLSF2055D SPECIAL SCREW,X2
		135	QYSLSF2055D SPECIAL SCREW,X3
		136	QYSLSF2055D SPECIAL SCREW
△	137	LY20372-004A	FRAME ASSY
	137A	LY30903-001A	BASE
	137B	LY41090-001B	HOOK
	137C	QYSLSF2060D	SCREW,X2
	137D	QYSLSF2060Z	SCREW,X2
	137E	LY30016-0H2A	SPACER-A
	137F	YQ43810	CONTACT(LIGHT),X2
	137G	WJM0118-001A	E-SI C WIRE C-F
	137H	LY41082-001A	CUSHION(OP),X2
	138	YQ44457-3	SCREW,X2
	139	LY30904-001A	BKT(MECHA)
	140	QYSPSTU1725M	SCREW
	142	LY30018-050A	SPECIAL SCREW,X2
	143	LY41173-001A	SPECIAL SCREW,X2
	144	QYSLSF1750D	SCREW
	145	QYSLSF2055D	SPECIAL SCREW,X2
	146	LY41083-001B	KNOB(LIGHT)
	147	WJT0024-001A	E-CARD WIRE,OP-MAIN CN15
	148	LY30889-001B	CAP(LITHIUM)
	150	LY30514-001F	FRONT FRAME ASSY
	150A	YQ44144-1-1	TAPE GUIDE
	151	SPSH1725M	SCREW,X2
	152	YQ31752H-34	CASSETTE HOUSING ASSY
	152A	LY30175-001C	CASS.COVER INSIDE ASSY
	153	YQ44457-3	SCREW,X4
	154	QYSLSP2025D	SCREW,X2
	155	QYSLSP2030D	SCREW,X4
- OPTICAL BLOCK SECTION -			
		251	LY30948-003A OP BLOCK ASSY
		251A	PTY30948-002 FOCUS MOTOR
		251B	PTY30948-301 ZOOM MOTOR
		251C	PTY30151-016 SCREW,X9
		251D	PTY30948-006 IRIS MOTOR UNIT,INCL.FPC
		252	LYH40018-003A CCD BASE ASSY
		253	QYSPSGU2080Z SCREW,X2
		254	LY31441-001A SPACER RUBBER
		255	LY41756-001A OP LPF
		256	LY20346-001A CCD SPACER
		257	LY30018-072A SPECIAL SCREW

5.3 ELECTRONIC VIEWFINDER ASSEMBLY <M4>



#	△ REF No.	PART No.	PART NAME, DESCRIPTION

ELECTRONIC VIEWFINDER ASSEMBLY<M4>			
△	350	LYH20158-001A	E.VF ASSY
	351	LY20524-001A	HOLDER(LCD)
	352	LY41907-001A	SPACER(LCD)
	353	QLD0117-001	LCD MODULE

#	△ REF No.	PART No.	PART NAME, DESCRIPTION
△	354	LY30914-001C	BOTTOM CASE ASSY
△	355	LY30915-001C	TOP CASE ASSY
	356	QYSPSGT1760D	SCREW,X2
	357	QAL0136-004	FPC
	358	LY30029-018A	SPACER(A)
	359	PTY20307-200	LENS ASSY
	360	PTY20307-201	EYE CAP

5.4 ELECTRICAL PARTS LIST

#	△ REF No.	PART No.	PART NAME, DESCRIPTION

MAIN BOARD ASSEMBLY <01>			
		PW	YB10271ER-04 MAIN BOARD ASSY
		IC101	UPD703039-016 IC(MICRO C ROM)
			or UPD70F3040-016 IC(MICRO C ROM)
		IC102	S-81332HG-KC-X IC
		IC104	AT25080N-10SC-X IC
		IC105	M62367GP IC
		IC106	IC-PST9327U-X IC
		IC107	RS5C314 IC
		IC1201	BA8400FV IC
△		IC1601	BA6866KV IC
		IC1801	PIC-26043S IR DETECT UNIT
		IC2001	TC74AC04FT IC(DIGITAL)
		IC2401	NJM2073M-XE IC
		IC3001	JCY0130 IC
		IC3002	74HC1G04GW IC
		IC3004	TC74VHC74FT IC
		IC3101	HA118219F IC
		IC3501	M52385FP IC
		IC3901	TC7WHU04FU IC
		IC4001	JCY0100 IC
		IC4003	UPD6462GS-544-X IC
		IC4004	MM1385NN IC
		IC4005	TC7S04FU IC
		IC4201	UPC358G2/5/-W IC
		IC4202	BA10324AFV-XE IC
		IC4251	BA10358F-XE IC
		IC4501	UPD16835G3 IC
		IC5201	HD49326AF IC
		IC5202	JCY0098 IC
		IC6001	FA3676F IC
		IC7802	TC7SET08FU IC(DIGITAL)
		Q101	2SA1774/RS/-X TRANSISTOR
		Q102	DTC144EE TRANSISTOR
		Q103	2SC4617/QR/-X TRANSISTOR
		Q104	DTC144EE TRANSISTOR
		Q105	2SA1774/RS/-X TRANSISTOR
		Q106	DTC144EE TRANSISTOR
		Q107	DTA144EE TRANSISTOR
		Q110	DTC144EE TRANSISTOR
		Q2001	DTA114TE TRANSISTOR
		Q2006	DTC144EE TRANSISTOR
		Q2007	PUMX1 PAIR TRANSISTOR
		Q2008	PUMT1 PAIR TRANSISTOR
		Q2071	2SC4617/QR/-X TRANSISTOR
		Q2072	PUMX1 PAIR TRANSISTOR
		Q3002	HN1C01FU/G/-X PAIR TRANSISTOR
			or PUMX1 PAIR TRANSISTOR
		Q3003	2SA1577/QR/-X TRANSISTOR
		Q3004	DTC144EE TRANSISTOR
		Q3005	DTA144EE TRANSISTOR
		Q3101	HN1C01FU/G/-X PAIR TRANSISTOR
			or PUMX1 PAIR TRANSISTOR
		Q3102	HN1A01FU/G/-X PAIR TRANSISTOR
			or PUMT1 PAIR TRANSISTOR
		Q3103	HN1C01FU/G/-X PAIR TRANSISTOR
			or PUMX1 PAIR TRANSISTOR
		Q3104	HN1A01FU/G/-X PAIR TRANSISTOR
			or PUMT1 PAIR TRANSISTOR
		Q3105	HN1C01FU/G/-X PAIR TRANSISTOR

#	△ REF No.	PART No.	PART NAME, DESCRIPTION
			or PUMX1 PAIR TRANSISTOR
		Q3106	HN1A01FU/G/-X PAIR TRANSISTOR
			or PUMT1 PAIR TRANSISTOR
		Q3501	HN1C01FU/G/-X PAIR TRANSISTOR
		Q3502	HN1C01FU/G/-X PAIR TRANSISTOR
		Q3506	DTC144EE TRANSISTOR
		Q3901	DTA114EE TRANSISTOR
		Q3902	DTC144EE TRANSISTOR
		Q3903	2SC4617/QR/-X TRANSISTOR
		Q3904	DTC144EE TRANSISTOR
		Q4001	PUMT1 PAIR TRANSISTOR
		Q4002	PUMT1 PAIR TRANSISTOR
		Q4004	2PA1774/R/-X TRANSISTOR
		Q4201	2SC4617/QRS/-X TRANSISTOR
			or 2SC4738/YG/-X TRANSISTOR
		Q4251	RPM-22PB PHOTO TRANSISTOR
		Q4501	DTC114EE TRANSISTOR
		Q6111	NDS352AP MOS FET
		Q6121	NDS352AP MOS FET
		Q6123	2SB1121/ST/-X TRANSISTOR
		Q6124	2SC4617/QR/-X TRANSISTOR
			or 2SC4738/YG/-X TRANSISTOR
		Q6131	NDS352AP MOS FET
		Q6141	NDS352AP MOS FET
		Q6151	NDS352AP MOS FET
		Q6161	NDS352AP MOS FET
		Q6162	HN1C01FU/G/-X PAIR TRANSISTOR
		Q6163	2SA1577/QR/-X TRANSISTOR
		Q6164	2SC4617/QR/-X TRANSISTOR
			or 2SC4738/YG/-X TRANSISTOR
		Q6165	HN1A01FU/G/-X PAIR TRANSISTOR
		Q6166	2SC4617/QR/-X TRANSISTOR
			or 2SC4738/YG/-X TRANSISTOR
		Q6167	2SA1774/QR/-X TRANSISTOR
			or 2SA1832/YG/-X TRANSISTOR
		Q6168	DTC144EE TRANSISTOR
			or RN1104 TRANSISTOR
		Q6201	2SA1774/QR/-X TRANSISTOR
			or 2SA1832/YG/-X TRANSISTOR
		Q6202	2SD1628/FG/-X TRANSISTOR
		Q6203	2SC4617/QR/-X TRANSISTOR
			or 2SC4738/YG/-X TRANSISTOR
△		D101	SB007W03Q SB DIODE
		D102	UDZS7.5B ZENER DIODE
		D105	1SS355 DIODE
		D106	1SS355 DIODE
		D107	SB007W03Q SB DIODE
		D501	MA8068 ZENER DIODE
		D502	MA8068 ZENER DIODE
		D3001	DAN222 DIODE
		D3002	DAN222 DIODE
		D3101	MA8068 ZENER DIODE
		D3102	MA8068 ZENER DIODE
		D3103	MA8068 ZENER DIODE
		D5201	1SS355 DIODE
		D6111	CRS06 SB DIODE
		D6121	CRS06 SB DIODE
		D6131	CRS06 SB DIODE
		D6141	CRS06 SB DIODE
		D6151	CRS06 SB DIODE
		D6152	NRS181J-0R0X MG RESISTOR
		D6161	1SS357 SB DIODE

0Ω,1/16W

#	△	REF No.	PART No.	PART NAME, DESCRIPTION	#	△	REF No.	PART No.	PART NAME, DESCRIPTION
		D6162	1SS357	SB DIODE			R167	NRSA63J-183X	MG RESISTOR 18kΩ,1/16W
		D6163	1SS357	SB DIODE			R168	NRSA63J-562X	MG RESISTOR 5.6kΩ,1/16W
		D6164	1SS357	SB DIODE			R170	NRSA63J-333X	MG RESISTOR 33kΩ,1/16W
		D6165	MA8091/L-X	ZENER DIODE			R171	NRSA63J-104X	MG RESISTOR 100kΩ,1/16W
		R101	NRSA63J-104X	MG RESISTOR 100kΩ,1/16W			R501	NRSA63J-105X	MG RESISTOR 1MΩ,1/16W
△		R104	NRSA63J-102X	MG RESISTOR 1kΩ,1/16W			R504	NRSA63J-221X	MG RESISTOR 220Ω,1/16W
		R105	NRSA63J-103X	MG RESISTOR 10kΩ,1/16W			R505	NRSA63J-331X	MG RESISTOR 330Ω,1/16W
		R106	NRSA63J-561X	MG RESISTOR 560Ω,1/16W			R1201	NRSA63J-824X	MG RESISTOR 820kΩ,1/16W
		R107	NRVA63D-153X	CMF RESISTOR 15kΩ,1/16W			R1202	NRSA63J-821X	MG RESISTOR 820Ω,1/16W
		R108	NRVA63D-243X	CMF RESISTOR 24kΩ,1/16W			R1203	NRSA63J-472X	MG RESISTOR 4.7kΩ,1/16W
		R109	NRVA63D-183X	CMF RESISTOR 18kΩ,1/16W			R1204	NRSA63J-274X	MG RESISTOR 270kΩ,1/16W
		R110	NRSA63J-103X	MG RESISTOR 10kΩ,1/16W			R1601	NRV142F-R33X	CMF RESISTOR 0.33Ω,1/4W
		R111	NRSA63J-273X	MG RESISTOR 27kΩ,1/16W			R1602	NRV142F-R33X	CMF RESISTOR 0.33Ω,1/4W
		R112	NRSA63J-331X	MG RESISTOR 330Ω,1/16W			R1603	NRSA63J-154X	MG RESISTOR 150kΩ,1/16W
		R113	NRSA63J-562X	MG RESISTOR 5.6kΩ,1/16W			R1604	NRSA63J-102X	MG RESISTOR 1kΩ,1/16W
		R114	NRSA63J-821X	MG RESISTOR 820Ω,1/16W			R1605	NRSA63J-102X	MG RESISTOR 1kΩ,1/16W
		R115	NRSA63J-101X	MG RESISTOR 100Ω,1/16W			R1606	NRSA63J-102X	MG RESISTOR 1kΩ,1/16W
		R116	NRSA63J-102X	MG RESISTOR 1kΩ,1/16W			R1607	NRSA63J-103X	MG RESISTOR 10kΩ,1/16W
		R118	NRSA63J-103X	MG RESISTOR 10kΩ,1/16W			R1608	NRSA63J-474X	MG RESISTOR 470kΩ,1/16W
		R119	NRSA63J-103X	MG RESISTOR 10kΩ,1/16W			R1609	NRSA63J-184X	MG RESISTOR 180kΩ,1/16W
		R120	NRSA63J-273X	MG RESISTOR 27kΩ,1/16W			R1610	NRSA63J-103X	MG RESISTOR 10kΩ,1/16W
		R121	NRSA63J-273X	MG RESISTOR 27kΩ,1/16W			R1612	NRVA63D-332X	CMF RESISTOR 3.3kΩ,1/16W
		R122	NRSA63J-393X	MG RESISTOR 39kΩ,1/16W			R1613	NRSA63J-333X	MG RESISTOR 33kΩ,1/16W
		R123	NRSA63J-104X	MG RESISTOR 100kΩ,1/16W			R1614	NRSA63J-123X	MG RESISTOR 12kΩ,1/16W
		R124	NRSA63J-104X	MG RESISTOR 100kΩ,1/16W			R1615	NRSA63J-103X	MG RESISTOR 10kΩ,1/16W
		R125	NRSA63J-273X	MG RESISTOR 27kΩ,1/16W			R1617	NRVA63D-392X	CMF RESISTOR 3.9kΩ,1/16W
		R126	NRSA63J-153X	MG RESISTOR 15kΩ,1/16W			R1618	NRSA63J-154X	MG RESISTOR 150kΩ,1/16W
		R127	NRSA63J-221X	MG RESISTOR 220Ω,1/16W			R1619	NRSA63J-471X	MG RESISTOR 470Ω,1/16W
		R128	NRSA63J-102X	MG RESISTOR 1kΩ,1/16W			R1620	NRSA63J-684X	MG RESISTOR 680kΩ,1/16W
		R129	NRSA63J-102X	MG RESISTOR 1kΩ,1/16W			R1621	NRSA63J-102X	MG RESISTOR 1kΩ,1/16W
		R130	NRSA63J-105X	MG RESISTOR 1MΩ,1/16W			R1622	NRSA63J-224X	MG RESISTOR 220kΩ,1/16W
		R131	NRSA63J-105X	MG RESISTOR 1MΩ,1/16W			R1623	NRSA63J-223X	MG RESISTOR 22kΩ,1/16W
		R132	NRSA63J-105X	MG RESISTOR 1MΩ,1/16W			R1628	NRSA63J-0R0X	MG RESISTOR 0Ω,1/16W
		R133	NRSA63J-105X	MG RESISTOR 1MΩ,1/16W			R1629	NRSA63J-0R0X	MG RESISTOR 0Ω,1/16W
		R134	NRSA63J-105X	MG RESISTOR 1MΩ,1/16W			R1630	NRSA63J-0R0X	MG RESISTOR 0Ω,1/16W
		R135	NRSA63J-104X	MG RESISTOR 100kΩ,1/16W			R1631	NRSA63J-102X	MG RESISTOR 1kΩ,1/16W
		R136	NRSA63J-474X	MG RESISTOR 470kΩ,1/16W			R1632	NRSA63J-153X	MG RESISTOR 15kΩ,1/16W
		R137	NRSA63J-273X	MG RESISTOR 27kΩ,1/16W			R1633	NRSA63J-683X	MG RESISTOR 68kΩ,1/16W
		R138	NRSA63J-333X	MG RESISTOR 33kΩ,1/16W			R2001	NRSA63J-104X	MG RESISTOR 100kΩ,1/16W
		R139	NRSA63J-104X	MG RESISTOR 100kΩ,1/16W			R2002	NRSA63J-332X	MG RESISTOR 3.3kΩ,1/16W
		R140	NRSA63J-124X	MG RESISTOR 120kΩ,1/16W			R2003	NRSA63J-102X	MG RESISTOR 1kΩ,1/16W
		R141	NRSA63J-105X	MG RESISTOR 1MΩ,1/16W			R2004	NRSA63J-681X	MG RESISTOR 680Ω,1/16W
		R142	NRSA63J-103X	MG RESISTOR 10kΩ,1/16W			R2005	NRSA63J-272X	MG RESISTOR 2.7kΩ,1/16W
		R143	NRSA63J-105X	MG RESISTOR 1MΩ,1/16W			R2006	NRSA63J-102X	MG RESISTOR 1kΩ,1/16W
		R144	NRSA63J-221X	MG RESISTOR 220Ω,1/16W			R2011	NRSA63J-101X	MG RESISTOR 100Ω,1/16W
		R145	NRSA63J-222X	MG RESISTOR 2.2kΩ,1/16W			R2012	NRSA63J-101X	MG RESISTOR 100Ω,1/16W
		R146	NRSA63J-474X	MG RESISTOR 470kΩ,1/16W			R2016	NRVA63D-183X	CMF RESISTOR 18kΩ,1/16W
		R147	NRSA63J-472X	MG RESISTOR 4.7kΩ,1/16W			R2021	NRSA63J-103X	MG RESISTOR 10kΩ,1/16W
		R148	NRSA63J-0R0X	MG RESISTOR 0Ω,1/16W			R2022	NRSA63J-334X	MG RESISTOR 330kΩ,1/16W
		R150	NRSA63J-331X	MG RESISTOR 330Ω,1/16W			R2023	NRSA63J-820X	MG RESISTOR 82Ω,1/16W
		R152	NRSA63J-474X	MG RESISTOR 470kΩ,1/16W			R2024	NRSA63J-823X	MG RESISTOR 82kΩ,1/16W
		R153	NRSA63J-474X	MG RESISTOR 470kΩ,1/16W			R2025	NRSA63J-153X	MG RESISTOR 15kΩ,1/16W
		R154	NRSA63J-474X	MG RESISTOR 470kΩ,1/16W			R2026	NRSA63J-102X	MG RESISTOR 1kΩ,1/16W
		R155	NRSA63J-474X	MG RESISTOR 470kΩ,1/16W			R2027	NRSA63J-102X	MG RESISTOR 1kΩ,1/16W
		R156	NRSA63J-474X	MG RESISTOR 470kΩ,1/16W			R2029	NRSA63J-103X	MG RESISTOR 10kΩ,1/16W
		R157	NRSA63J-474X	MG RESISTOR 470kΩ,1/16W			R2071	NRSA63J-473X	MG RESISTOR 47kΩ,1/16W
		R158	NRSA63J-474X	MG RESISTOR 470kΩ,1/16W			R2072	NRSA63J-682X	MG RESISTOR 6.8kΩ,1/16W
		R159	NRSA63J-474X	MG RESISTOR 470kΩ,1/16W			R2073	NRSA63J-682X	MG RESISTOR 6.8kΩ,1/16W
		R160	NRSA63J-474X	MG RESISTOR 470kΩ,1/16W			R2074	NRSA63J-473X	MG RESISTOR 47kΩ,1/16W
		R161	NRSA63J-104X	MG RESISTOR 100kΩ,1/16W			R2075	NRSA63J-473X	MG RESISTOR 47kΩ,1/16W
		R162	NRSA63J-472X	MG RESISTOR 4.7kΩ,1/16W			R2076	NRSA63J-473X	MG RESISTOR 47kΩ,1/16W
		R164	NRSA63J-472X	MG RESISTOR 4.7kΩ,1/16W			R2401	NRSA63J-683X	MG RESISTOR 68kΩ,1/16W
		R166	NRSA63J-103X	MG RESISTOR 10kΩ,1/16W			R2402	NRSA63J-122X	MG RESISTOR 1.2kΩ,1/16W

#	△ REF No.	PART No.	PART NAME, DESCRIPTION		#	△ REF No.	PART No.	PART NAME, DESCRIPTION	
R2403		NRSA63J-2R2X	MG RESISTOR	2.2Ω,1/16W	R4013		NRVA63D-152X	CMF RESISTOR	1.5kΩ,1/16W
R2404		NRSA63J-2R2X	MG RESISTOR	2.2Ω,1/16W	R4014		NRVA63D-122X	CMF RESISTOR	1.2kΩ,1/16W
R3001		NRSA63J-105X	MG RESISTOR	1MΩ,1/16W	R4015		NRVA63D-181X	CMF RESISTOR	180Ω,1/16W
R3002		NRSA63J-471X	MG RESISTOR	470Ω,1/16W	R4016		NRSA63J-152X	MG RESISTOR	1.5kΩ,1/16W
R3004		NRSA63J-273X	MG RESISTOR	27kΩ,1/16W	R4017		NRVA63D-181X	CMF RESISTOR	180Ω,1/16W
R3006		NRSA63J-681X	MG RESISTOR	680Ω,1/16W	R4018		NRSA63J-152X	MG RESISTOR	1.5kΩ,1/16W
R3007		NRSA63J-153X	MG RESISTOR	15kΩ,1/16W	R4019		NRVA63D-620X	CMF RESISTOR	62Ω,1/16W
R3008		NRSA63J-393X	MG RESISTOR	39kΩ,1/16W	R4020		NRVA63D-101X	CMF RESISTOR	100Ω,1/16W
R3009		NRSA63J-272X	MG RESISTOR	2.7kΩ,1/16W	R4021		NRSA63J-152X	MG RESISTOR	1.5kΩ,1/16W
R3010		NRSA63J-332X	MG RESISTOR	3.3kΩ,1/16W	R4022		NRVA63D-750X	CMF RESISTOR	75Ω,1/16W
R3014		NRSA63J-681X	MG RESISTOR	680Ω,1/16W	R4023		NRVA63D-750X	CMF RESISTOR	75Ω,1/16W
R3015		NRSA63J-332X	MG RESISTOR	3.3kΩ,1/16W	R4024		NRSA63J-152X	MG RESISTOR	1.5kΩ,1/16W
R3016		NRSA63J-332X	MG RESISTOR	3.3kΩ,1/16W	R4025		NRVA63D-221X	CMF RESISTOR	220Ω,1/16W
R3018		NRSA63J-271X	MG RESISTOR	270Ω,1/16W	R4027		NRSA63J-152X	MG RESISTOR	1.5kΩ,1/16W
R3023		NRSA63J-561X	MG RESISTOR	560Ω,1/16W	R4036		NRSA63J-0R0X	MG RESISTOR	0Ω,1/16W
R3024		NRSA63J-104X	MG RESISTOR	100kΩ,1/16W	R4037		NRSA63J-102X	MG RESISTOR	1kΩ,1/16W
R3026		NRSA63J-103X	MG RESISTOR	10kΩ,1/16W	R4201		NRSA63J-103X	MG RESISTOR	10kΩ,1/16W
R3027		NRSA63J-103X	MG RESISTOR	10kΩ,1/16W	R4202		NRSA63J-563X	MG RESISTOR	56kΩ,1/16W
R3028		NRVA63D-472X	CMF RESISTOR	4.7kΩ,1/16W	R4203		NRSA63J-103X	MG RESISTOR	10kΩ,1/16W
R3029		NRSA63J-0R0X	MG RESISTOR	0Ω,1/16W	R4204		NRSA63J-331X	MG RESISTOR	330Ω,1/16W
R3030		NRSA63J-561X	MG RESISTOR	560Ω,1/16W	R4205		NRSA63J-105X	MG RESISTOR	1MΩ,1/16W
R3033		NRSA63J-103X	MG RESISTOR	10kΩ,1/16W	R4206		NRSA63J-103X	MG RESISTOR	10kΩ,1/16W
R3034		NRSA63J-220X	MG RESISTOR	22Ω,1/16W	R4207		NRSA63J-104X	MG RESISTOR	100kΩ,1/16W
R3035		NRSA63J-103X	MG RESISTOR	10kΩ,1/16W	R4208		NRSA63J-472X	MG RESISTOR	4.7kΩ,1/16W
R3101		NRSA63J-102X	MG RESISTOR	1kΩ,1/16W	R4209		NRSA63J-104X	MG RESISTOR	100kΩ,1/16W
R3102		NRSA63J-102X	MG RESISTOR	1kΩ,1/16W	R4210		NRSA63J-105X	MG RESISTOR	1MΩ,1/16W
R3103		NRSA63J-102X	MG RESISTOR	1kΩ,1/16W	R4211		NRSA63J-243X	MG RESISTOR	24kΩ,1/16W
R3109		NRSA63J-102X	MG RESISTOR	1kΩ,1/16W	R4214		NRSA63J-472X	MG RESISTOR	4.7kΩ,1/16W
R3110		NRSA63J-102X	MG RESISTOR	1kΩ,1/16W	R4215		NRSA63J-683X	MG RESISTOR	68kΩ,1/16W
R3111		NRSA02J-560X	MG RESISTOR	56Ω,1/10W	R4216		NRSA63J-103X	MG RESISTOR	10kΩ,1/16W
R3112		NRSA63J-102X	MG RESISTOR	1kΩ,1/16W	R4217		NRSA63J-102X	MG RESISTOR	1kΩ,1/16W
R3113		NRSA63J-102X	MG RESISTOR	1kΩ,1/16W	R4218		NRSA63J-102X	MG RESISTOR	1kΩ,1/16W
R3114		NRSA02J-560X	MG RESISTOR	56Ω,1/10W	R4219		NRSA63J-104X	MG RESISTOR	100kΩ,1/16W
R3115		NRSA63J-102X	MG RESISTOR	1kΩ,1/16W	R4220		NRSA63J-152X	MG RESISTOR	1.5kΩ,1/16W
R3116		NRSA63J-102X	MG RESISTOR	1kΩ,1/16W	R4221		NRSA63J-334X	MG RESISTOR	330kΩ,1/16W
R3117		NRSA02J-560X	MG RESISTOR	56Ω,1/10W	R4222		NRSA63J-154X	MG RESISTOR	150kΩ,1/16W
R3131		NRSA63J-0R0X	MG RESISTOR	0Ω,1/16W	R4223		NRSA63J-333X	MG RESISTOR	33kΩ,1/16W
R3132		NRSA63J-0R0X	MG RESISTOR	0Ω,1/16W	R4224		NRSA63J-223X	MG RESISTOR	22kΩ,1/16W
R3134		NRSA63J-221X	MG RESISTOR	220Ω,1/16W	R4251		NRSA63J-182X	MG RESISTOR	1.8kΩ,1/16W
R3135		NRSA63J-0R0X	MG RESISTOR	0Ω,1/16W	R4252		NRSA63J-103X	MG RESISTOR	10kΩ,1/16W
R3501		NRSA63J-681X	MG RESISTOR	680Ω,1/16W	R4253		NRSA63J-103X	MG RESISTOR	10kΩ,1/16W
R3503		NRSA63J-471X	MG RESISTOR	470Ω,1/16W	R4254		NRSA63J-684X	MG RESISTOR	680kΩ,1/16W
R3504		NRSA63J-681X	MG RESISTOR	680Ω,1/16W	R4255		NRSA63J-222X	MG RESISTOR	2.2kΩ,1/16W
R3506		NRSA63J-681X	MG RESISTOR	680Ω,1/16W	R4256		NRSA63J-824X	MG RESISTOR	820kΩ,1/16W
R3508		NRSA63J-471X	MG RESISTOR	470Ω,1/16W	R4257		NRSA63J-822X	MG RESISTOR	8.2kΩ,1/16W
R3509		NRSA63J-681X	MG RESISTOR	680Ω,1/16W	R4258		NRSA63J-104X	MG RESISTOR	100kΩ,1/16W
R3515		NRSA63J-243X	MG RESISTOR	24kΩ,1/16W	R4259		NRSA63J-683X	MG RESISTOR	68kΩ,1/16W
R3519		NRSA63J-681X	MG RESISTOR	680Ω,1/16W	R4262		NRSA63J-302X	MG RESISTOR	3kΩ,1/16W
R3536		NRSA63J-102X	MG RESISTOR	1kΩ,1/16W	△ R4501		NRSA63J-6R8X	MG RESISTOR	6.8Ω,1/16W
R3537		NRSA63J-0R0X	MG RESISTOR	0Ω,1/16W	△ R4502		NRSA63J-6R8X	MG RESISTOR	6.8Ω,1/16W
R3901		NRSA63J-102X	MG RESISTOR	1kΩ,1/16W	△ R4503		NRSA63J-6R8X	MG RESISTOR	6.8Ω,1/16W
R3902		NRSA63J-102X	MG RESISTOR	1kΩ,1/16W	△ R4504		NRSA63J-6R8X	MG RESISTOR	6.8Ω,1/16W
R4001		NRSA63J-113X	MG RESISTOR	11kΩ,1/16W	R4505		NRSA63J-271X	MG RESISTOR	270Ω,1/16W
R4002		NRSA63J-123X	MG RESISTOR	12kΩ,1/16W	R4506		NRSA63J-103X	MG RESISTOR	10kΩ,1/16W
R4003		NRSA63J-153X	MG RESISTOR	15kΩ,1/16W	R4507		NRSA63J-103X	MG RESISTOR	10kΩ,1/16W
R4004		NRSA63J-103X	MG RESISTOR	10kΩ,1/16W	R4514		NRSA63J-223X	MG RESISTOR	22kΩ,1/16W
R4006		NRVA63D-272X	CMF RESISTOR	2.7kΩ,1/16W	R4515		NRSA63J-182X	MG RESISTOR	1.8kΩ,1/16W
R4007		NRVA63D-272X	CMF RESISTOR	2.7kΩ,1/16W	R4518		NRSA63J-0R0X	MG RESISTOR	0Ω,1/16W
R4008		NRVA63D-272X	CMF RESISTOR	2.7kΩ,1/16W	R5201		NRSA63J-243X	MG RESISTOR	24kΩ,1/16W
R4009		NRVA63D-152X	CMF RESISTOR	1.5kΩ,1/16W	R5202		NRSA63J-220X	MG RESISTOR	22Ω,1/16W
R4010		NRVA63D-122X	CMF RESISTOR	1.2kΩ,1/16W	R5211		NRSA63J-562X	MG RESISTOR	5.6kΩ,1/16W
R4011		NRVA63D-152X	CMF RESISTOR	1.5kΩ,1/16W	R5212		NRSA63J-101X	MG RESISTOR	100Ω,1/16W
R4012		NRVA63D-122X	CMF RESISTOR	1.2kΩ,1/16W	R5213		NRSA63J-101X	MG RESISTOR	100Ω,1/16W

#	△	REF No.	PART No.	PART NAME, DESCRIPTION	#	△	REF No.	PART No.	PART NAME, DESCRIPTION	
R5214			NRSA63J-101X	MG RESISTOR	100Ω,1/16W	RA104		NRZ0038-222X	NETWORK RESISTOR	2.2kΩ
R5215			NRSA63J-104X	MG RESISTOR	100kΩ,1/16W	RA105		NRZ0038-473X	NETWORK RESISTOR	47kΩ
R5216			NRSA63J-100X	MG RESISTOR	10Ω,1/16W	RA106		NRZ0037-331X	NETWORK RESISTOR	330Ω
R5217			NRSA63J-104X	MG RESISTOR	100kΩ,1/16W	RA107		NRZ0038-222X	NETWORK RESISTOR	2.2kΩ
R5218			NRSA63J-0R0X	MG RESISTOR	0Ω,1/16W	RA108		NRZ0038-222X	NETWORK RESISTOR	2.2kΩ
R5220			NRSA63J-0R0X	MG RESISTOR	0Ω,1/16W	RA109		NRZ0038-222X	NETWORK RESISTOR	2.2kΩ
R6121			NRSA63J-4R7X	MG RESISTOR	4.7Ω,1/16W	C101		NCF31CZ-104X	CAPACITOR	0.1μF,16V
R6122			NRVA63D-183X	CMF RESISTOR	18kΩ,1/16W	C102		NEA71CM-226X	E CAPACITOR	22μF,16V
R6123			NRVA63D-472X	CMF RESISTOR	4.7kΩ,1/16W	C103		NBE41AM-106X	T CAPACITOR	10μF,10V
R6125			NRSA63J-103X	MG RESISTOR	10kΩ,1/16W	C104		NCB31EK-103X	CAPACITOR	0.01μF,25V
R6126			NRSA63J-152X	MG RESISTOR	1.5kΩ,1/16W	C105		NCB31CK-104X	CAPACITOR	0.1μF,16V
R6127			NRSA63J-473X	MG RESISTOR	47kΩ,1/16W	C106		NCF31CZ-104X	CAPACITOR	0.1μF,16V
R6131			NRSA63J-473X	MG RESISTOR	47kΩ,1/16W	C107		NCB31EK-103X	CAPACITOR	0.01μF,25V
R6133			NRSA63J-473X	MG RESISTOR	47kΩ,1/16W	C108		NBE21AM-225X	T CAPACITOR	2.2μF,10V
R6134			NRVA63D-302X	CMF RESISTOR	3kΩ,1/16W	C109		NBE41AM-106X	T CAPACITOR	10μF,10V
R6135			NRSA63J-823X	MG RESISTOR	82kΩ,1/16W	C110		NDC31HJ-101X	CAPACITOR	100pF,50V
R6136			NRSA63J-113X	MG RESISTOR	11kΩ,1/16W	C111		NEA70JM-226X	E CAPACITOR	22μF,6.3V
R6137			NRSA63J-682X	MG RESISTOR	6.8kΩ,1/16W	C112		NEA70JM-226X	E CAPACITOR	22μF,6.3V
R6141			NRSA63J-4R7X	MG RESISTOR	4.7Ω,1/16W	C113		NCB31EK-103X	CAPACITOR	0.01μF,25V
R6142			NRSA63J-243X	MG RESISTOR	24kΩ,1/16W	C114		NCB31EK-103X	CAPACITOR	0.01μF,25V
R6143			NRSA63J-332X	MG RESISTOR	3.3kΩ,1/16W	C116		NCB31EK-103X	CAPACITOR	0.01μF,25V
R6144			NRSA63J-0R0X	MG RESISTOR	0Ω,1/16W	C118		NCF31CZ-104X	CAPACITOR	0.1μF,16V
R6145			NRSA63J-223X	MG RESISTOR	22kΩ,1/16W	C119		NCB31EK-103X	CAPACITOR	0.01μF,25V
R6146			NRSA63J-823X	MG RESISTOR	82kΩ,1/16W	C120		NCB31EK-103X	CAPACITOR	0.01μF,25V
R6151			NRSA63J-4R7X	MG RESISTOR	4.7Ω,1/16W	C121		NCF31CZ-104X	CAPACITOR	0.1μF,16V
R6152			NRVA63D-103X	CMF RESISTOR	10kΩ,1/16W	C122		NCF31CZ-104X	CAPACITOR	0.1μF,16V
R6153			NRVA63D-103X	CMF RESISTOR	10kΩ,1/16W	C123		NDC31HJ-100X	CAPACITOR	10pF,50V
R6161			NRSA63J-4R7X	MG RESISTOR	4.7Ω,1/16W	C124		NDC31HJ-100X	CAPACITOR	10pF,50V
R6162			NRVA63D-683X	CMF RESISTOR	68kΩ,1/16W	C125		NCB31EK-103X	CAPACITOR	0.01μF,25V
R6163			NRVA63D-392X	CMF RESISTOR	3.9kΩ,1/16W	C126		NDC31HJ-120X	CAPACITOR	12pF,50V
R6164			NRSA63J-394X	MG RESISTOR	390kΩ,1/16W	C127		NCB31CK-333X	CAPACITOR	0.033μF,16V
R6165			NRSA63J-473X	MG RESISTOR	47kΩ,1/16W	C128		NCB21CK-474X	CAPACITOR	0.47μF,16V
R6166			NRSA63J-273X	MG RESISTOR	27kΩ,1/16W	C129		NCB31CK-333X	CAPACITOR	0.033μF,16V
R6167			NRSA63J-822X	MG RESISTOR	8.2kΩ,1/16W	C131		NCF31CZ-104X	CAPACITOR	0.1μF,16V
R6168			NRVA63D-513X	CMF RESISTOR	51kΩ,1/16W	C132		NCF31CZ-104X	CAPACITOR	0.1μF,16V
R6169			NRVA63D-823X	CMF RESISTOR	82kΩ,1/16W	C133		NCF31CZ-104X	CAPACITOR	0.1μF,16V
R6170			NRVA63D-473X	CMF RESISTOR	47kΩ,1/16W	C134		NCF31CZ-104X	CAPACITOR	0.1μF,16V
R6171			NRSA63J-222X	MG RESISTOR	2.2kΩ,1/16W	C1201		NBE21AM-106X	T CAPACITOR	10μF,10V
R6172			NRVA63D-823X	CMF RESISTOR	82kΩ,1/16W	C1202		NBE21AM-106X	T CAPACITOR	10μF,10V
R6173			NRSA63J-474X	MG RESISTOR	470kΩ,1/16W	C1203		NCB31EK-223X	CAPACITOR	0.022μF,25V
R6174			NRVA63D-683X	CMF RESISTOR	68kΩ,1/16W	C1204		NCB31HK-102X	CAPACITOR	0.001μF,50V
R6175			NRSA63J-333X	MG RESISTOR	33kΩ,1/16W	C1205		NBE21AM-106X	T CAPACITOR	10μF,10V
R6176			NRSA63J-333X	MG RESISTOR	33kΩ,1/16W	C1206		NBE21AM-106X	T CAPACITOR	10μF,10V
R6177			NRSA63J-102X	MG RESISTOR	1kΩ,1/16W	C1207		NCB31EK-103X	CAPACITOR	0.01μF,25V
R6178			NRSA63J-222X	MG RESISTOR	2.2kΩ,1/16W	C1601		NCB31EK-103X	CAPACITOR	0.01μF,25V
R6179			NRSA63J-272X	MG RESISTOR	2.7kΩ,1/16W	C1602		NBP41CM-106X	T CAPACITOR	10μF,16V
R6180			NRSA63J-823X	MG RESISTOR	82kΩ,1/16W	C1603		NCB31CK-104X	CAPACITOR	0.1μF,16V
R6181			NRSA63J-104X	MG RESISTOR	100kΩ,1/16W	C1604		NCB31CK-104X	CAPACITOR	0.1μF,16V
R6182			NRSA63J-473X	MG RESISTOR	47kΩ,1/16W	C1605		NCB31CK-104X	CAPACITOR	0.1μF,16V
R6201			NRSA63J-103X	MG RESISTOR	10kΩ,1/16W	C1606		NCB31CK-104X	CAPACITOR	0.1μF,16V
R6202			NRSA63J-181X	MG RESISTOR	180Ω,1/16W	C1607		NCB31EK-103X	CAPACITOR	0.01μF,25V
R6203			NRSA63J-103X	MG RESISTOR	10kΩ,1/16W	C1608		NCB31CK-104X	CAPACITOR	0.1μF,16V
R6205			NRSA63J-184X	MG RESISTOR	180kΩ,1/16W	C1609		NCB31HK-222X	CAPACITOR	0.0022μF,50V
R6206			NRSA63J-102X	MG RESISTOR	1kΩ,1/16W	C1610		NCB21CK-334X	CAPACITOR	0.33μF,16V
R6914			NRSA63J-0R0X	MG RESISTOR	0Ω,1/16W	C1611		NBE41AM-226X	T CAPACITOR	22μF,10V
R6931			NRSA63J-4R7X	MG RESISTOR	4.7Ω,1/16W	C1612		NCB31HK-681X	CAPACITOR	680pF,50V
R7802			NRSA63J-101X	MG RESISTOR	100Ω,1/16W	C1613		NCB21CK-474X	CAPACITOR	0.47μF,16V
R7804			NRSA63J-101X	MG RESISTOR	100Ω,1/16W	C1614		NCB31HK-152X	CAPACITOR	0.0015μF,50V
R7808			NRSA63J-0R0X	MG RESISTOR	0Ω,1/16W	C1615		NBE21AM-106X	T CAPACITOR	10μF,10V
R7810			NRSA63J-0R0X	MG RESISTOR	0Ω,1/16W	C1616		NCB31HK-822X	CAPACITOR	0.0082μF,50V
RA101			NRZ0038-222X	NETWORK RESISTOR	2.2kΩ	C1617		NBP41CM-106X	T CAPACITOR	10μF,16V
RA102			NRZ0038-222X	NETWORK RESISTOR	2.2kΩ	C1624		NCB31CK-223X	CAPACITOR	0.022μF,16V
RA103			NRZ0038-222X	NETWORK RESISTOR	2.2kΩ	C1625		NCB31CK-223X	CAPACITOR	0.022μF,16V

#	△ REF No.	PART No.	PART NAME, DESCRIPTION	#	△ REF No.	PART No.	PART NAME, DESCRIPTION
C1626		NCB31CK-223X	CAPACITOR 0.022μF,16V	C3114		NCB31EK-103X	CAPACITOR 0.01μF,25V
C1631		NCB31CK-683X	CAPACITOR 0.068μF,16V	C3118		NCB31CK-104X	CAPACITOR 0.1μF,16V
C2001		NBE20JM-106X	T CAPACITOR 10μF,6.3V	C3119		NCB31CK-104X	CAPACITOR 0.1μF,16V
C2002		NFV41HJ-183X	MPPS CAPACITOR 0.018μF,50V	C3120		NEA70GM-337X	E CAPACITOR 330μF,4.0V
C2003		NDC31HJ-331X	CAPACITOR 330pF,50V	C3121		NEA70GM-337X	E CAPACITOR 330μF,4.0V
C2004		NBE20JM-226X	T CAPACITOR 22μF,6.3V	C3134		NDC31HJ-100X	CAPACITOR 10pF,50V
C2005		NCB21CK-105X	CAPACITOR 1μF,16V	C3135		NDC31HJ-221X	CAPACITOR 220pF,50V
C2009		NBE40JM-226X	T CAPACITOR 22μF,6.3V	C3501		NBE20JM-106X	T CAPACITOR 10μF,6.3V
C2010		NCB31CK-104X	CAPACITOR 0.1μF,16V	C3502		NCF21CZ-105X	CAPACITOR 1μF,16V
C2021		NCB31EK-103X	CAPACITOR 0.01μF,25V	C3503		NCB31EK-103X	CAPACITOR 0.01μF,25V
C2022		NBE20JM-156X	T CAPACITOR 15μF,6.3V	C3504		NCB31EK-103X	CAPACITOR 0.01μF,25V
C2024		NCB31HK-222X	CAPACITOR 0.0022μF,50V	C3505		NCB31EK-103X	CAPACITOR 0.01μF,25V
C2025		NBP21EM-105X	T CAPACITOR 1μF,25V	C3506		NCB31EK-103X	CAPACITOR 0.01μF,25V
C2026		NCB31HK-102X	CAPACITOR 0.001μF,50V	C3507		NCF21CZ-105X	CAPACITOR 1μF,16V
C2027		NCB21CK-474X	CAPACITOR 0.47μF,16V	C3508		NCB31EK-153X	CAPACITOR 0.015μF,25V
C2028		NCF21CZ-105X	CAPACITOR 1μF,16V	C3509		NCB31EK-103X	CAPACITOR 0.01μF,25V
C2029		NCB21AK-105X	CAPACITOR 1μF,10V	C3510		NCB31HK-332X	CAPACITOR 0.0033μF,50V
C2030		NBE20JM-475X	T CAPACITOR 4.7μF,6.3V	C3511		NDC31HJ-150X	CAPACITOR 15pF,50V
C2031		NCB21CK-104X	CAPACITOR 0.1μF,16V	C3513		NCB31HK-332X	CAPACITOR 0.0033μF,50V
C2051		NCB31HK-682X	CAPACITOR 0.0068μF,50V	C3514		NCB31EK-103X	CAPACITOR 0.01μF,25V
C2052		NCB31HK-222X	CAPACITOR 0.0022μF,50V	C3515		NCB31HK-332X	CAPACITOR 0.0033μF,50V
C2071		NCB21AK-105X	CAPACITOR 1μF,10V	C3517		NCB31EK-103X	CAPACITOR 0.01μF,25V
C2072		NCB31HK-682X	CAPACITOR 0.0068μF,50V	C3518		NCB31HK-332X	CAPACITOR 0.0033μF,50V
C2073		NDC31HJ-331X	CAPACITOR 330pF,50V	C3520		NCB31HK-332X	CAPACITOR 0.0033μF,50V
C2074		NCB31HK-332X	CAPACITOR 0.0033μF,50V	C3522		NCB31EK-103X	CAPACITOR 0.01μF,25V
C2076		NCB31CK-104X	CAPACITOR 0.1μF,16V	C3523		NCB31HK-332X	CAPACITOR 0.0033μF,50V
C2401		NEA70GM-476X	E CAPACITOR 47μF,4.0V	C3524		NDC31HJ-150X	CAPACITOR 15pF,50V
C2402		NBE20JM-106X	T CAPACITOR 10μF,6.3V	C3525		NCB31CK-473X	CAPACITOR 0.047μF,16V
C2403		NCB31EK-103X	CAPACITOR 0.01μF,25V	C3901		NCB31CK-104X	CAPACITOR 0.1μF,16V
C2404		NCF31CZ-224X	CAPACITOR 0.22μF,16V	C4004		NBE20GM-336X	T CAPACITOR 33μF,4.0V
C2405		NCB31CK-104X	CAPACITOR 0.1μF,16V	C4006		NCF31EZ-104X	CAPACITOR 0.1μF,25V
C3002		NBE20JM-106X	T CAPACITOR 10μF,6.3V	C4008		NCF31EZ-104X	CAPACITOR 0.1μF,25V
C3003		NBE20JM-106X	T CAPACITOR 10μF,6.3V	C4009		NCF31EZ-104X	CAPACITOR 0.1μF,25V
C3004		NCB31CK-104X	CAPACITOR 0.1μF,16V	C4010		NCF31EZ-104X	CAPACITOR 0.1μF,25V
C3005		NCB31CK-104X	CAPACITOR 0.1μF,16V	C4012		NCF31EZ-104X	CAPACITOR 0.1μF,25V
C3006		NDC31HG-120X	CAPACITOR 12pF,50V	C4014		NCF31EZ-104X	CAPACITOR 0.1μF,25V
C3007		NDC31HG-100X	CAPACITOR 10pF,50V	C4017		NCF31EZ-104X	CAPACITOR 0.1μF,25V
C3009		NCB31CK-104X	CAPACITOR 0.1μF,16V	C4019		NCF31EZ-104X	CAPACITOR 0.1μF,25V
C3011		NCB31CK-104X	CAPACITOR 0.1μF,16V	C4022		NCF31EZ-104X	CAPACITOR 0.1μF,25V
C3012		NCB31CK-104X	CAPACITOR 0.1μF,16V	C4024		NCF31EZ-104X	CAPACITOR 0.1μF,25V
C3013		NCB31CK-104X	CAPACITOR 0.1μF,16V	C4028		NCF31EZ-104X	CAPACITOR 0.1μF,25V
C3014		NCB31CK-104X	CAPACITOR 0.1μF,16V	C4029		NCF31EZ-104X	CAPACITOR 0.1μF,25V
C3015		NCB31CK-104X	CAPACITOR 0.1μF,16V	C4030		NCF31EZ-104X	CAPACITOR 0.1μF,25V
C3016		NCB31CK-104X	CAPACITOR 0.1μF,16V	C4034		NCF31EZ-104X	CAPACITOR 0.1μF,25V
C3017		NCB31CK-104X	CAPACITOR 0.1μF,16V	C4036		NCF31EZ-104X	CAPACITOR 0.1μF,25V
C3019		NCB31EK-103X	CAPACITOR 0.01μF,25V	C4037		NCF31EZ-104X	CAPACITOR 0.1μF,25V
C3020		NCB31EK-103X	CAPACITOR 0.01μF,25V	C4038		NCF31EZ-104X	CAPACITOR 0.1μF,25V
C3022		NCB31CK-104X	CAPACITOR 0.1μF,16V	C4039		NCF31EZ-104X	CAPACITOR 0.1μF,25V
C3027		NCB31EK-103X	CAPACITOR 0.01μF,25V	C4044		NBE20GM-336X	T CAPACITOR 33μF,4.0V
C3028		NCB31EK-103X	CAPACITOR 0.01μF,25V	C4045		NCF31EZ-104X	CAPACITOR 0.1μF,25V
C3032		NDC31HJ-100X	CAPACITOR 10pF,50V	C4046		NCF21CZ-105X	CAPACITOR 1μF,16V
C3033		NCB31CK-104X	CAPACITOR 0.1μF,16V	C4047		NCF31EZ-104X	CAPACITOR 0.1μF,25V
C3037		NDC31HJ-100X	CAPACITOR 10pF,50V	C4048		NBE20GM-336X	T CAPACITOR 33μF,4.0V
C3101		NBE20JM-106X	T CAPACITOR 10μF,6.3V	C4049		NDC31HJ-100X	CAPACITOR 10pF,50V
C3103		NBE20JM-106X	T CAPACITOR 10μF,6.3V	C4051		NDC31HJ-101X	CAPACITOR 100pF,50V
C3104		NDC31HJ-560X	CAPACITOR 56pF,50V	C4201		NEA71HM-225X	E CAPACITOR 2.2μF,50V
C3105		NCB31CK-104X	CAPACITOR 0.1μF,16V	C4202		NCF31CZ-104X	CAPACITOR 0.1μF,16V
C3106		NCB31CK-104X	CAPACITOR 0.1μF,16V	C4203		NCB31CK-104X	CAPACITOR 0.1μF,16V
C3107		NCB31EK-103X	CAPACITOR 0.01μF,25V	C4205		NCB31EK-103X	CAPACITOR 0.01μF,25V
C3108		NCB31EK-103X	CAPACITOR 0.01μF,25V	C4206		NCB31CK-104X	CAPACITOR 0.1μF,16V
C3109		NCB31EK-103X	CAPACITOR 0.01μF,25V	C4207		NCB31EK-103X	CAPACITOR 0.01μF,25V
C3112		NBE20JM-475X	T CAPACITOR 4.7μF,6.3V	C4208		NCB31CK-104X	CAPACITOR 0.1μF,16V
C3113		NCB21AK-105X	CAPACITOR 1μF,10V	C4209		NCF21CZ-105X	CAPACITOR 1μF,16V

#	△ REF No.	PART No.	PART NAME, DESCRIPTION	#	△ REF No.	PART No.	PART NAME, DESCRIPTION
C4210		NCF21CZ-105X	CAPACITOR 1μF,16V	C6111		NCB21CK-105X	CAPACITOR 1μF,16V
C4251		NEA71HM-335X	E CAPACITOR 3.3μF,50V	C6113		NCB10JK-106X	CAPACITOR 10μF,6.3V
C4252		NCB31CK-104X	CAPACITOR 0.1μF,16V	C6114		NCB31HK-102X	CAPACITOR 0.001μF,50V
C4253		NCB31EK-153X	CAPACITOR 0.015μF,25V	C6121		NCB21CK-105X	CAPACITOR 1μF,16V
C4254		NCB31EK-153X	CAPACITOR 0.015μF,25V	C6123		NCB10JK-106X	CAPACITOR 10μF,6.3V
C4256		NEA71CM-106X	E CAPACITOR 10μF,16V	C6124		NCB31HK-102X	CAPACITOR 0.001μF,50V
C4502		NEA71CM-106X	E CAPACITOR 10μF,16V	C6125		NEA71CM-106X	E CAPACITOR 10μF,16V
C4503		NEA70JM-107X	E CAPACITOR 100μF,6.3V	C6131		NCB21CK-105X	CAPACITOR 1μF,16V
C4504		NCF31CZ-104X	CAPACITOR 0.1μF,16V	C6132		NCB21CK-105X	CAPACITOR 1μF,16V
C4505		NDC31HJ-330X	CAPACITOR 33pF,50V	C6133		NCB21EK-683X	CAPACITOR 0.068μF,25V
C4506		NCB31HK-102X	CAPACITOR 0.001μF,50V	C6141		NCB21CK-105X	CAPACITOR 1μF,16V
C4507		NCB31HK-102X	CAPACITOR 0.001μF,50V	C6142		NCB21CK-105X	CAPACITOR 1μF,16V
C4508		NCB31HK-102X	CAPACITOR 0.001μF,50V	C6143		NCB21CK-224X	CAPACITOR 0.22μF,16V
C4509		NCB31HK-102X	CAPACITOR 0.001μF,50V	C6151		NCB21CK-105X	CAPACITOR 1μF,16V
C4510		NCB31CK-104X	CAPACITOR 0.1μF,16V	C6153		NCB10JK-106X	CAPACITOR 10μF,6.3V
C4511		NCF31CZ-104X	CAPACITOR 0.1μF,16V	C6154		NCB31HK-472X	CAPACITOR 0.0047μF,50V
C5203		NBE40GM-336X	T CAPACITOR 33μF,4.0V	C6155		NCB21CK-105X	CAPACITOR 1μF,16V
C5204		NCF31EZ-104X	CAPACITOR 0.1μF,25V	C6161		NCB21CK-105X	CAPACITOR 1μF,16V
C5207		NCB31CK-104X	CAPACITOR 0.1μF,16V	C6162		NCB11EK-105X	CAPACITOR 1μF,25V
C5208		NCB31CK-104X	CAPACITOR 0.1μF,16V	C6163		NCB31HK-102X	CAPACITOR 0.001μF,50V
C5209		NCB31CK-104X	CAPACITOR 0.1μF,16V	C6164		NCB31EK-103X	CAPACITOR 0.01μF,25V
C5210		NCF31EZ-104X	CAPACITOR 0.1μF,25V	C6165		NCB21CK-105X	CAPACITOR 1μF,16V
C5211		NCB21CK-105X	CAPACITOR 1μF,16V	C6167		NCB21CK-105X	CAPACITOR 1μF,16V
C5212		NCB21CK-105X	CAPACITOR 1μF,16V	C6168		NCB11EK-105X	CAPACITOR 1μF,25V
C5213		NCB31HK-332X	CAPACITOR 0.0033μF,50V	C6169		NCB21CK-105X	CAPACITOR 1μF,16V
C5214		NCB21CK-105X	CAPACITOR 1μF,16V	C6171		NCB21CK-105X	CAPACITOR 1μF,16V
C5216		NCF31EZ-104X	CAPACITOR 0.1μF,25V	C6173		NCB21CK-105X	CAPACITOR 1μF,16V
C5218		NCF31EZ-104X	CAPACITOR 0.1μF,25V	C6174		NCB21CK-105X	CAPACITOR 1μF,16V
C5219		NBP21CM-685X	T CAPACITOR 6.8μF,16V	C6175		NCB21CK-105X	CAPACITOR 1μF,16V
C5220		NCF31EZ-104X	CAPACITOR 0.1μF,25V	C6201		NEA71CM-106X	E CAPACITOR 10μF,16V
C5221		NBP41VM-105X	T CAPACITOR 1μF,35V	C7801		NCB31EK-103X	CAPACITOR 0.01μF,25V
C5222		NCB31HK-104X	CAPACITOR 0.1μF,50V	C7809		NBE41AM-106X	T CAPACITOR 10μF,10V
C5223		NCF31EZ-104X	CAPACITOR 0.1μF,25V	L101		NQL034K-330X	COIL 33μH
C5224		NBE40GM-336X	T CAPACITOR 33μF,4.0V	L102		NQR0199-004X	FERRITE BEAD
C5225		NCF31EZ-104X	CAPACITOR 0.1μF,25V	L103		NQR0199-004X	FERRITE BEAD
C5227		NCB31CK-104X	CAPACITOR 0.1μF,16V	L501		NQR0129-002X	FERRITE BEAD
C5228		NCF31EZ-104X	CAPACITOR 0.1μF,25V	L2001		NQL144K-101X	COIL 100μH
C5229		NBP41VM-105X	T CAPACITOR 1μF,35V	L2002		NQL144K-101X	COIL 100μH
C5230		NCB21EK-104X	CAPACITOR 0.1μF,25V	L2003		NQL144K-470X	COIL 47μH
C5232		NDC31HJ-100X	CAPACITOR 10pF,50V	L2051		NQL093K-1R0X	COIL 1μH
C5233		NDC31HJ-100X	CAPACITOR 10pF,50V	L2052		NQL093K-1R0X	COIL 1μH
C5234		NDC31HJ-100X	CAPACITOR 10pF,50V	L2401		NQL144K-470X	COIL 47μH
C5235		NDC31HJ-100X	CAPACITOR 10pF,50V	L3002		NQL315K-220X	COIL 22μH
C5236		NDC31HJ-100X	CAPACITOR 10pF,50V	L3003		NQL315K-220X	COIL 22μH
C5237		NDC31HJ-100X	CAPACITOR 10pF,50V	L3101		NQL315K-220X	COIL 22μH
C6001		NCB21CK-105X	CAPACITOR 1μF,16V	L3106		NQL085J-5R6X	COIL 5.6μH
C6003		NEA71CM-106X	E CAPACITOR 10μF,16V	L3501		NQL315K-220X	COIL 22μH
C6004		NCB31CK-104X	CAPACITOR 0.1μF,16V	L3502		NQL315K-220X	COIL 22μH
C6005		NCB31CK-104X	CAPACITOR 0.1μF,16V	L3901		NQL085J-1R5X	COIL 1.5μH
C6006		NCB31CK-473X	CAPACITOR 0.047μF,16V	L4001		NQL314K-220X	COIL 22μH
C6007		NCF21CZ-105X	CAPACITOR 1μF,16V	L4002		NRS181J-0R0X	MG RESISTOR 0Ω,1/8W
C6008		NCB21CK-105X	CAPACITOR 1μF,16V	L4003		NQL314K-220X	COIL 22μH
C6009		NCB31EK-103X	CAPACITOR 0.01μF,25V	L4201		NQL315K-220X	COIL 22μH
C6010		NCF21CZ-105X	CAPACITOR 1μF,16V	L4501		NQL315K-100X	COIL 10μH
C6011		NCB31CK-104X	CAPACITOR 0.1μF,16V	L4502		NQL034K-220X	COIL 22μH
C6012		NCB31HK-272X	CAPACITOR 0.0027μF,50V	L4503		NQL315K-220X	COIL 22μH
C6013		NCB31CK-104X	CAPACITOR 0.1μF,16V	L5201		NQL314K-220X	COIL 22μH
C6014		NCB31HK-561X	CAPACITOR 560pF,50V	L5202		NQL314K-101X	COIL 100μH
C6015		NCB31HK-561X	CAPACITOR 560pF,50V	L5203		NQL314K-101X	COIL 100μH
C6016		NCB31EK-103X	CAPACITOR 0.01μF,25V	L5204		NQL314K-220X	COIL 22μH
C6017		NDC31HJ-101X	CAPACITOR 100pF,50V	L6001		NQLZ011-4R7X	COIL 4.7μH
C6018		NCB21CK-105X	CAPACITOR 1μF,16V	L6002		NQLZ011-4R7X	COIL 4.7μH
C6019		NCF21CZ-105X	CAPACITOR 1μF,16V	L6111		NQLZ011-390X	COIL 39μH

#	△ REF No.	PART No.	PART NAME, DESCRIPTION	
L6121		NQLZ011-390X	COIL	39μH
L6131		NQLZ011-470X	COIL	47μH
L6141		NQLZ011-470X	COIL	47μH
L6151		NQLZ011-470X	COIL	47μH
L6161		NQLZ011-221X	COIL	220μH
L7801		NQL144K-100X	COIL	10μH
X101		NAX0251-001X	CRYSTAL RESONATOR	
X102		NAX0325-001X	CRYSTAL RESONATOR	
X3001		QAX0596-001	CRYSTAL RESONATOR	
SW503		NSW0092-001X	SLIDE SWITCH	
WR1		WJV0019-001B	E-PRIMARY WIRE	
J502		YQ32092-3	BATTERY TERMINAL UNIT	
J503		PEMC1203	MINI JACK	
J504		LY31356-002A	JACK UNIT	
J505		QND0068-001	S JACK	
CN1		QGF0507F1-10X	FPC CONNECTOR	
CN2		QGF0510F2-14X	FPC CONNECTOR	
CN3		QGF0507F1-18X	FPC CONNECTOR	
CN4		QGA1201F2-02X	CONNECTOR	
CN5		QGF0507F1-11X	FPC CONNECTOR	
CN7		QGF0507F2-11X	FPC CONNECTOR	
CN8		QGA1201C2-02X	CONNECTOR	
CN11		QGF0507F1-20X	FPC CONNECTOR	
CN13		QGF0507F1-10X	FPC CONNECTOR	
CN14		QGA1201C2-02X	CONNECTOR	
CN15		QGF0512C1-22X	FPC CONNECTOR	
CN16		QGF0303F1-27W	FFC/FPC CONNECTOR	
CN18		QGF0510F2-14X	FPC CONNECTOR	
CN22		QGF0505F2-14X	FPC CONNECTOR	
CN25		QGB0801M1-20X	CONNECTOR	
CN26		QGA1201C2-02X	CONNECTOR	
CN27		QGA1201F2-02X	CONNECTOR	
△ F6001		NMFZ006-2R0X-K	FUSE	T2.0A
△ F6004		NMFZ006-R20X-K	FUSE	T0.2A
OT1		LY41185-001B	SHIELD CASE(L)	
SD1		LY41713-001A	SHIELD PLATE	
SD2		LY41473-001A	SHIELD PLATE	

BL BOARD ASSEMBLY <06>

PW2	YB20867B2	BL BOARD ASSY	
Q7301	2SK2742	POWER MOS FET	
R7301	NRSA63J-104X	MG RESISTOR	100kΩ,1/16W
C7301	NBP71CM-336X	T CAPACITOR	33μF,16V
C7302	NCF31CZ-104X	CAPACITOR	0.1μF,16V
L7301	NQL144K-100X	COIL	10μH
BL7301	NLL0010-001	LAMP	
△ T7301	NQH0006-001X	FB TRANSF	
CN7301	QGF0512C1-06X	FPC CONNECTOR	

VF BOARD ASSEMBLY <10>

PW1	YB20867B1	VF BOARD ASSY	
IC7400	CXA3503R-B	IC	

#	△ REF No.	PART No.	PART NAME, DESCRIPTION	
Q7402		2SC4617/QR/-X	TRANSISTOR	
D7400		MA365	VARI CAP DIODE	
R7400		NRSA63J-271X	MG RESISTOR	270Ω,1/16W
R7401		NRSA63J-102X	MG RESISTOR	1kΩ,1/16W
R7402		NRVA63D-333X	CMF RESISTOR	33kΩ,1/16W
R7403		NRSA63J-0R0X	MG RESISTOR	0Ω,1/16W
R7404		NRSA63J-0R0X	MG RESISTOR	0Ω,1/16W
R7405		NRSA63J-0R0X	MG RESISTOR	0Ω,1/16W
R7406		NRSA63J-153X	MG RESISTOR	15kΩ,1/16W
R7409		NRSA63J-100X	MG RESISTOR	10Ω,1/16W
R7410		NRSA63J-100X	MG RESISTOR	10Ω,1/16W
R7411		NRSA63J-100X	MG RESISTOR	10Ω,1/16W
R7415		NRSA63J-0R0X	MG RESISTOR	0Ω,1/16W
R7416		NRSA63J-0R0X	MG RESISTOR	0Ω,1/16W
R7420		NRSA63J-333X	MG RESISTOR	33kΩ,1/16W
R7421		NRSA63J-103X	MG RESISTOR	10kΩ,1/16W
R7422		NRSA63J-102X	MG RESISTOR	1kΩ,1/16W
R7423		NRSA63J-103X	MG RESISTOR	10kΩ,1/16W
R7433		NRSA63J-222X	MG RESISTOR	2.2kΩ,1/16W
R7434		NRSA63J-0R0X	MG RESISTOR	0Ω,1/16W
R7435		NRSA63J-103X	MG RESISTOR	10kΩ,1/16W
R7436		NVP0018-473X	TRIM RESISTOR	47kΩ
R7439		NRSA63J-0R0X	MG RESISTOR	0Ω,1/16W
R7440		NRSA63J-222X	MG RESISTOR	2.2kΩ,1/16W
R7441		NRSA63J-272X	MG RESISTOR	2.7kΩ,1/16W
R7442		NRSA63J-104X	MG RESISTOR	100kΩ,1/16W
C7400		NCB21AK-105X	CAPACITOR	1μF,10V
C7403		NCB31CK-104X	CAPACITOR	0.1μF,16V
C7404		NCB31CK-104X	CAPACITOR	0.1μF,16V
C7405		NCB31HK-103X	CAPACITOR	0.01μF,50V
C7406		NCB21CK-105X	CAPACITOR	1μF,16V
C7407		NCB21CK-105X	CAPACITOR	1μF,16V
C7408		NCB21CK-105X	CAPACITOR	1μF,16V
C7409		NCB21CK-105X	CAPACITOR	1μF,16V
C7411		NCB31CK-104X	CAPACITOR	0.1μF,16V
C7413		NBP41DM-106X	T CAPACITOR	10μF,20V
C7414		NCB31HK-103X	CAPACITOR	0.01μF,50V
C7415		NBE40JM-226X	T CAPACITOR	22μF,6.3V
C7416		NCB31CK-104X	CAPACITOR	0.1μF,16V
C7417		NCB21AK-105X	CAPACITOR	1μF,10V
C7418		NCB31EK-103X	CAPACITOR	0.01μF,25V
C7419		NCB31EK-103X	CAPACITOR	0.01μF,25V
C7420		NCB31EK-103X	CAPACITOR	0.01μF,25V
C7421		NDC31HJ-300X	CAPACITOR	30pF,50V
C7422		NDC31HJ-221X	CAPACITOR	220pF,50V
C7423		NCB31HK-103X	CAPACITOR	0.01μF,50V
C7424		NCB31HK-682X	CAPACITOR	0.0068μF,50V
C7425		NBP21CM-335X	T CAPACITOR	3.3μF,16V
C7427		NBP41DM-106X	T CAPACITOR	10μF,20V
C7430		NCB31HK-103X	CAPACITOR	0.01μF,50V
C7431		NBE20JM-106X	T CAPACITOR	10μF,6.3V
L7400		NQL144K-100X	COIL	10μH
L7401		NQL085J-100X	COIL	10μH
L7402		NQL144K-100X	COIL	10μH
L7403		NQL144K-100X	COIL	10μH
CN7201		QGF0503C1-18X	FFC/FPC CONNECTOR	
CN7202		QGF0503C1-16X	FFC/FPC CONNECTOR	